



Mini Digital Camera

Camera Use - Driver Installation Instructions

System Requirements

- Windows® 98, 98 SE, ME, 2000 or XP
- 256 MB of RAM
- 125 MB of hard drive space
- Pentium processor or above
- CD-ROM drive
- USB port
- 256-color (or higher) display adaptor

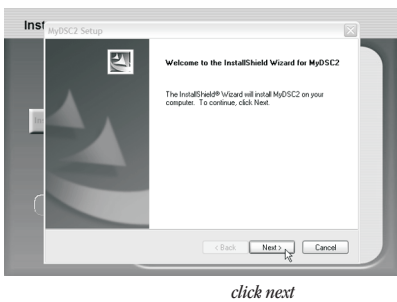
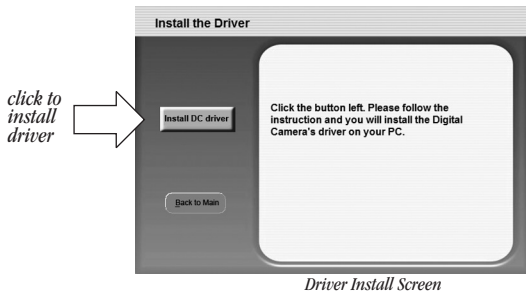
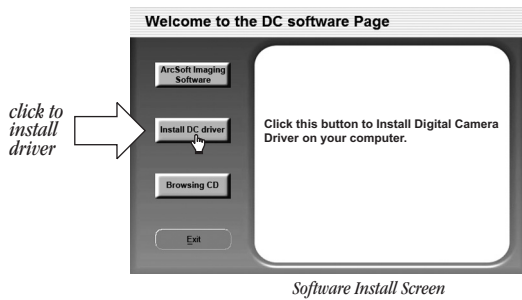
1 ▶ Driver Installation 2 ▶ Camera Use 3 ▶ Picture Transfer

1 Installing Camera Driver and Image Transfer Program

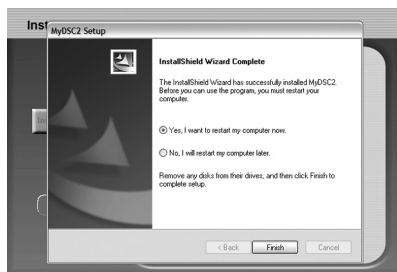
Before installing the software, make sure that the camera is NOT connected to the computer. This may cause the installation to fail.

1. Insert CD into computer CD-ROM drive.*
2. Installation window will appear after a few moments. (if installation does not auto-start, navigate to the CD drive and double-click on the /Driver/Setup.exe file.)
3. Follow the on-screen prompts to install the driver/transfer software.

*Note: If your operating system is Windows 98 or 98 SE, you must install the 8.1b DirectX driver first. On the CD, navigate to the directory /Win/DIRECTX 8.1b REDIST PACKAGE.exe. Run the program: DIRECTX 8.1b REDIST PACKAGE.exe

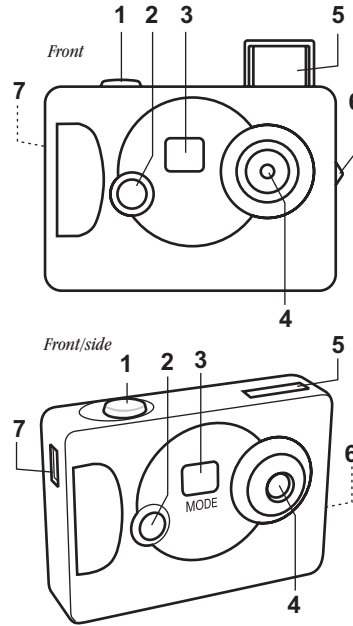


Driver and transfer software will install.



You must restart Windows for the driver to work properly. After Windows restarts, your Mini Digital Camera driver will be ready to use.

2 Camera Use



Parts of your camera

- 1 Shutter button
- 2 Function button
- 3 LCD function display
- 4 Lens
- 5 Viewfinder (retractable)
- 6 Viewfinder lever
- 7 Data port
- 8 Wrist strap (not shown)
- 9 Battery cover
- 10 Battery cover screw

Installing the battery

! IMPORTANT:

Removing the battery or using a weak battery will delete all images stored in the camera. To prevent this, always transfer your images to your computer when finished taking pictures.

1. Carefully unscrew the battery cover locking screw.
2. Insert the battery as shown on the diagram inside the battery compartment.
3. Replace the cover.
4. Test the camera by pressing the Function Button.
5. If the camera powers up, replace the locking screw into the battery cover

